

## IRB series 12" LED Inset Lights

- RB/IN-C Runway Edge With Circling Guidance



### FEATURES

- Low protrusion of less than 6.3mm above ground level
- Applicable to all kinds of CCRs and ILCMS systems
- PWM digital regulation providing excellent consistency of chromaticity
- Integrated optical module with high light efficacy and good consistency
- Aluminum alloy forged top cover with hardened surface and corrosion resistance treatment
- Built-in surge protection
- Specially designed fail open system suitable for strong magnetism, vibration and other environments

- |   |                                    |
|---|------------------------------------|
| CAAC • AC-137-CA-2015-01-R1<br>• AC-137-CA-2015-03-R1 | FAA • AC 150/5345-46<br>• EB NO.67 |
| ICAO • Annex 14 Volume I                              | IEC • TS 61827                     |
| EASA • CS-ADR-DSN                                     | AENA • DIN/DSEYN/PPT/011           |

### TECHNICAL DATA

#### MECHANICAL

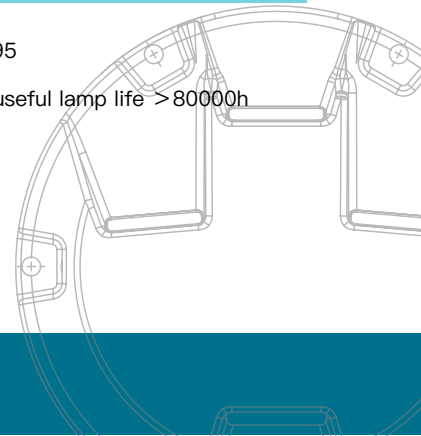
- |                          |  |                               |                    |
|--------------------------|--|-------------------------------|--------------------|
| Mounting • 6 x M10 bolts | Static Load Resistance • $\geq 35t$                    | Dynamic Load Resistance • 40J | Net Weight • 6.9kg |
| Gross Weight • 7.2kg     | Packing Dimensions • 354mm (L) x 324mm (W) x 135mm (H) |                               |                    |

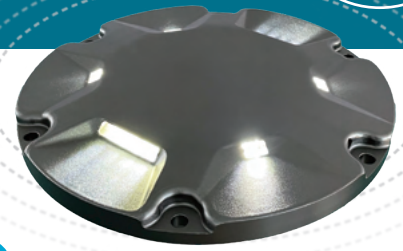
#### ENVIRONMENTAL

- |                                      |                                    |                         |                   |
|--------------------------------------|------------------------------------|-------------------------|-------------------|
| Operating Temperature • - 55°C~+55°C | Storage Temperature • - 55°C~+85°C | Protection Class • IP68 | Humidity • 0~100% |
|--------------------------------------|------------------------------------|-------------------------|-------------------|

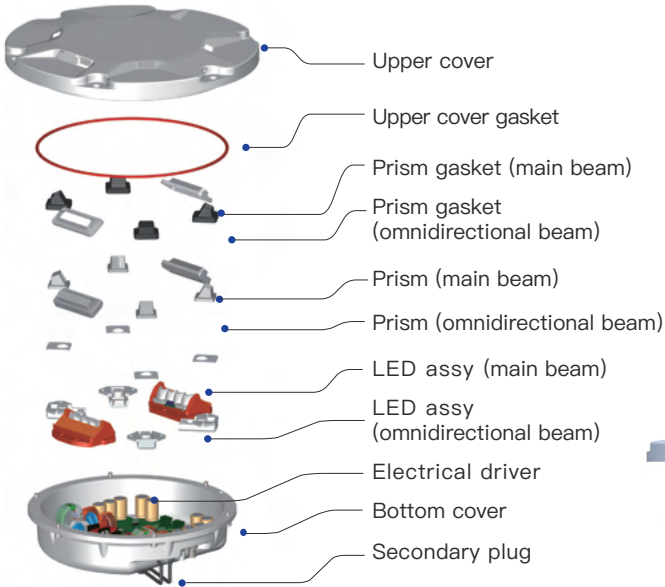
#### ELECTRICAL

- |                                |                                 |  |
|--------------------------------|---------------------------------|--|
| Connection • FAA L-823         | Rated Input Current • 6.6A      | Power Factor • >0.95                         |
| Emission • IEC 61000-6-4       | Immunity • IEC 61000-6-2        | Service Life • LED useful lamp life > 80000h |
| Runway Edge-White/White • 67VA | Runway Edge-White/Red • 48VA    |  |
| Runway Edge-Yellow/Red • 42VA  | Runway Edge-White/Yellow • 57VA |  |

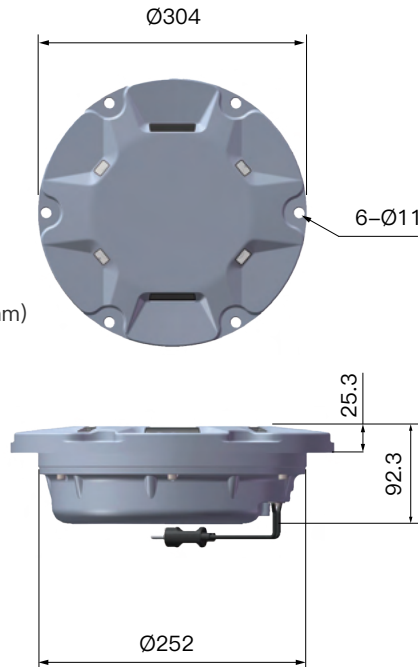




COMPONENTS



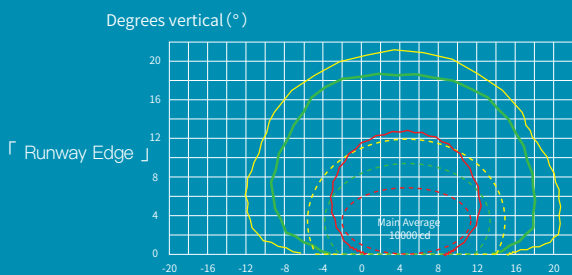
DIMENSIONS



ACCESSORIES

- © 12 inches shallow base assy (bottom entry/side entry)
- © 12 inches deep base assy
- © L-823 receptacle
- © 12 inches light fixture handle

PHOTOMETRICS

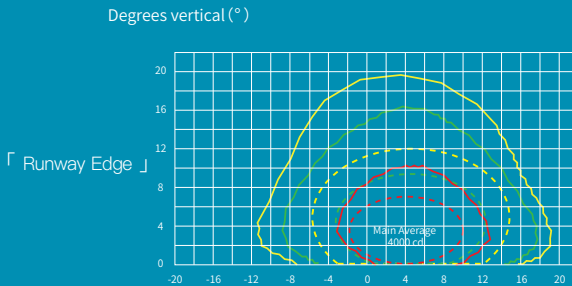


Color: White

Required: 5000cd (dashed red), 1000cd (dashed green), 500cd (dashed yellow)

Measured: 5000cd (solid red), 1000cd (solid green), 500cd (solid yellow)

Main beam average intensity: 11592cd



Color: Yellow

Required: 2000cd (dashed red), 400cd (dashed green), 200cd (dashed yellow)

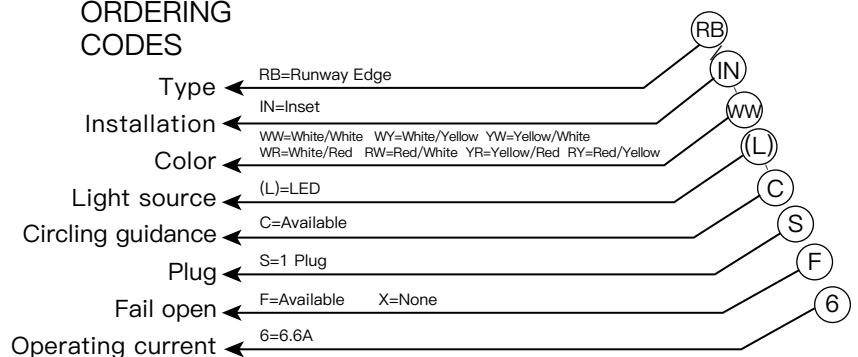
Measured: 2000cd (solid red), 400cd (solid green), 200cd (solid yellow)

Main beam average intensity: 5240cd

Airfield Lighting Systems (UK) Limited  
Aviation House, Russell Gardens,  
Wickford, Essex, SS11 8BF UK

Tel: +44 1702 547562  
Email: sales@alsukltd.co.uk Website:  
www.alsukltd.co.uk

ORDERING CODES



\* Accessories should be ordered separately