



PAPI-B(L)
LED Precision Approach
Path Indicator



CAAC • AC-137-CA-2015-07
AC-137-CA-2015-01-R1

ICAO • Annex 14 Volume I
AENA • DIN/DSEYN/PPT/020

TECHNICAL DATA

ENVIRONMENTAL

Operating Temperature • - 55°C~+55°C

Protection Class • IP65

Humidity • 0~100%

ELECTRICAL

Connection • L-823

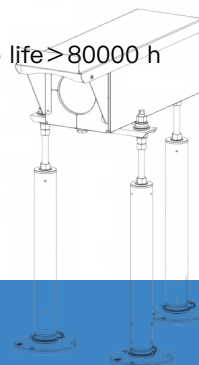
Rated Input Current • 6.6A

Rated Input Current • 55W
(+20W, equipped with heated front glass)

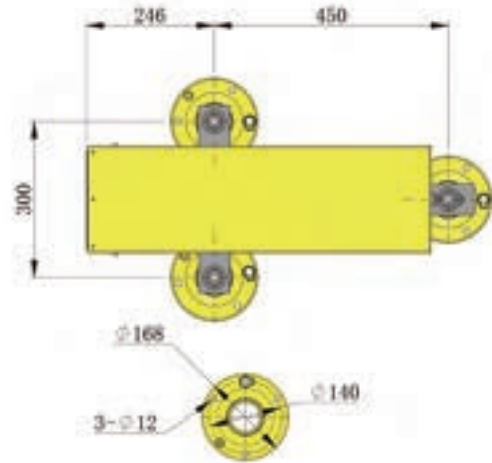
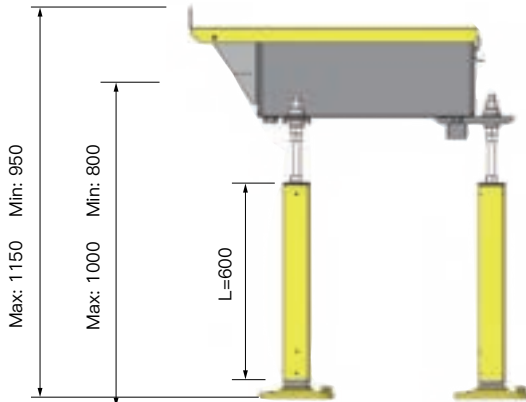
Emission • IEC 61000-6-4

Immunity • IEC 61000-6-2

Service Life • LED useful lamp life > 80000 h



DIMENSIONS



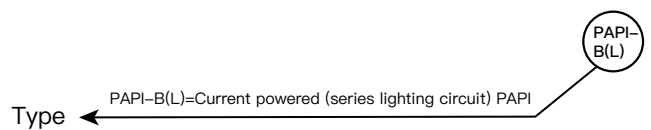
PACKAGING

- © Dimensions: 1000mm (L) x 400mm (W) x 300mm (H)
- © Net Weight: 24kgs © Gross Weight: 30kgs
- * Packaging is subject to upgradation. Above data are reference values.

PHOTOMETRICS

Degrees Horizontal	Minimum Intensity Required (Red, cd)	Minimum Intensity Measured (Red, cd)	Average Intensity Ratio (White to Red)
±2°	15000	17178	2.3
±4°	10000	14664	2.2
±6°	7000	13356	2.3
±8°	4000	5376	2.4

ORDERING CODES



PAPI-B(L)=Current powered (series lighting circuit) PAPI