

# als



airfield lighting systems

Big enough to cope,  
small enough to care.



### OPTIONS



## als



LED Omnidirectional  
Elevated Lights

- TE/E Blue Taxiway Edge
- Also available as White or Red Unserviceability Light

### FEATURES

- Adaptable to all kinds of CCRs and ILCMS systems
- PWM digital regulation providing excellent consistency of chromaticity
- Two-tier optical lens bringing excellent luminance consistency
- High pressure precision casting aluminum alloy light body with anti-UV coating
- Built-in surge protection

ICAO • Annex 14 Volume I EASA • CS-ADR-DSN  
 FAA • AC 150/5345-46 • EB No. 67  
 IEC • TS 61827  
 AENA • DIN/DSEYN/PPT/017

Compliant with NATO, UK & US Military Specifications

### TECHNICAL DATA

#### MECHANICAL

Baseplate Mounting Holes • 3xØ12      Net Weight • 1.2kg      Gross Weight (2 pack) • 2.6kg  
 Packing Dimensions (2 pack) • 300mm (L) x 243mm (W) x 115mm (H)

#### ENVIRONMENTAL

Operating Temperature • - 55°C~+55°C      Storage Temperature • - 55°C~+85°C      Protection Class • IP67      Humidity • 0~100%

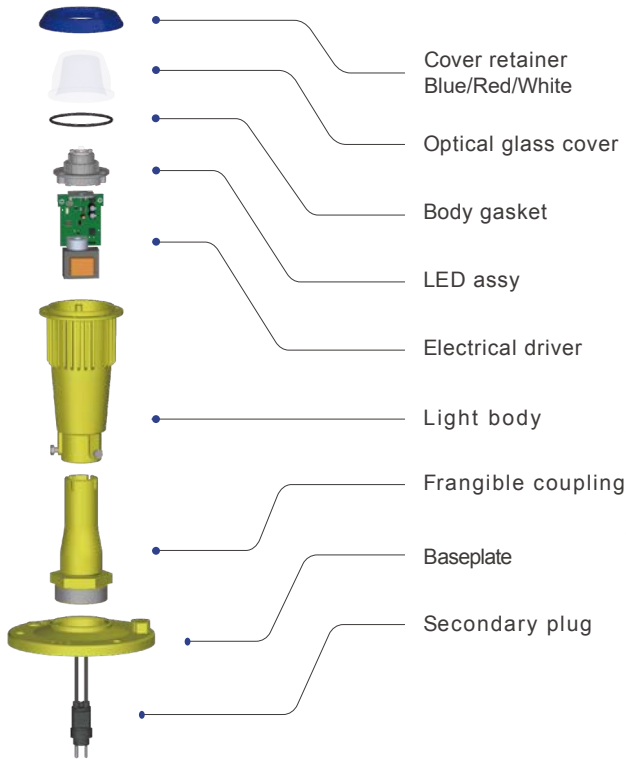
#### ELECTRICAL

Connection • FAA L-823      Rated Input Current • 6.6A/2.2A      Power Factor • >0.9      Power Consumption • 5VA  
 Emission • IEC 61000-6-4      Immunity • IEC 61000-6-2      Service Life • LED useful lamp life > 80000h

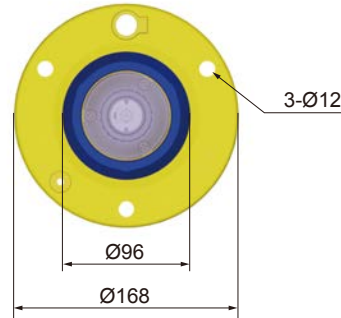




COMPONENTS



DIMENSIONS

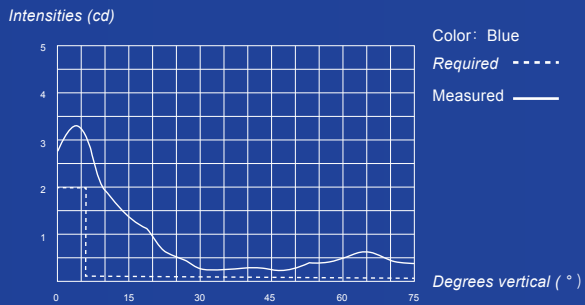


ACCESSORIES

- ⊙ Baseplate (168mm OD)
- ⊙ Baseplate (240mm OD)
- ⊙ Baseplate (300mm OD)
- ⊙ 2-1 inches frangible coupling
- ⊙ L-823 receptacle

PHOTOMETRICS

「 Taxiway Edge 」



Airfield Lighting Systems UK Limited (Headquarters)

Head Office: Aviation House, Russell Gardens, Wickford, Essex, SS11 8BF

Tel: +44 1702 547562

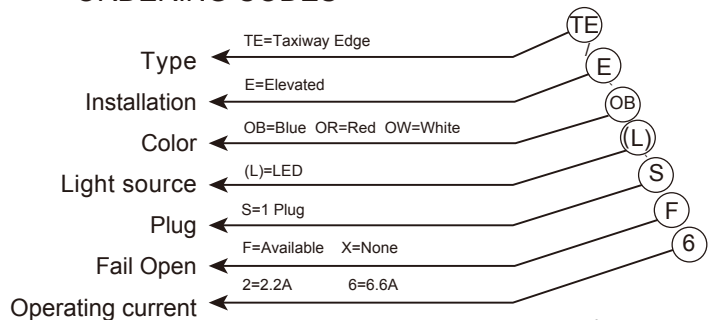
ALS MENASA Trading FZCo

Address: JAFZA One Tower A - Floor 6 - Office 610 - Mina Jebel Ali - Jebel Ali Freezone - Dubai - United Arab Emirates

Tel:+44 1702 547562 ex 218

Website: www.airfieldlightingsystems.com  
Email: sales@airfieldlightingsystems.com

ORDERING CODES



\* Accessories should be ordered separately

